

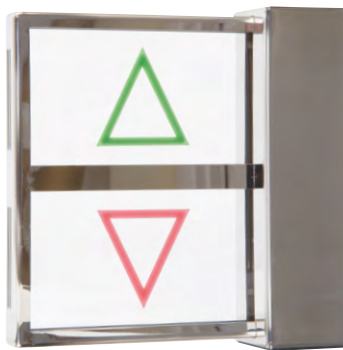


THE UK'S LARGEST
INDEPENDENT LIFT CONTROL
PANEL MANUFACTURER

BLADE HALL LANTERNS

We have added a range of landing Hall Lanterns to supplement our landing fixture and fittings range.

The "Blade" Type are versatile and easy to install. With a large viewing position they are easily seen perpendicular to the landing entrances.



Intermediate Floor Hall Lantern with mirror finish (PTL-2401-1)



Bottom Floor Hall Lantern with mirror finish (PTL-2401-1)

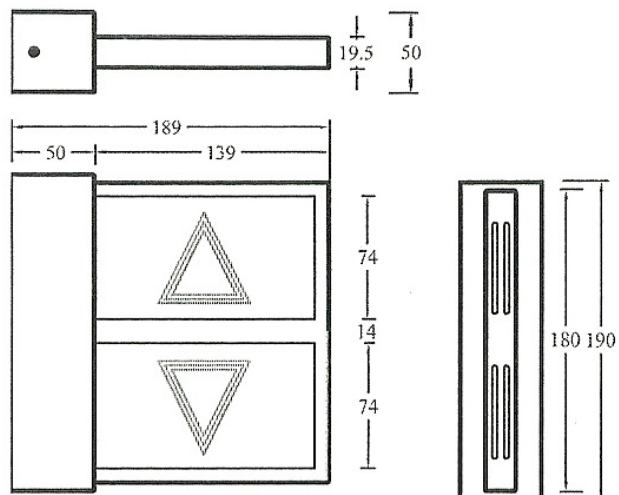
Brushed stainless finish is available upon request.

DIMENSIONS

- 190 x 189 x 50mm

PRODUCT CODES

- Blade Lantern PTL-2401-1 (Mirror Finish)



All information is for guidance only, E & OE
©Copyright 2018, Lester Controls Systems Ltd,
All rights reserved

Head Office & Manufacturing
Lester Control Systems Limited
Unit D 18 Imperial Way
Croydon Surrey CR0 4RR
T: +44(0)20 8288 0668 | F: +44(0)20 8288 0667

Research, Development, Design & Manufacturing
Lester Control Systems Limited
Units 2-4 Wycliffe Industrial Park Leicester Road
Lutterworth Leicestershire LE17 4HG
T: +44(0)1455 204983 | F: +44(0)1455 557780